

D Y S e r i e s

Class I, Division 2, Hazardous Environment

A45DY



Factory Mutual Certified

	A45DY	
Specifications	US	Metric
Platform Height	45 ft	13.72 m
Platform Capacity	500 lb	227 kg
Platform Size	30 x 72 in	.76 x 1.83 m
Stowed Height	7 ft 5 in	2.26 m
Stowed Length	21 ft 5 in	6.53 m
Horizontal Reach	24 ft 6 in	7.47 m
Up and Over Height	25 ft 2 in	7.67 m
Overall Width	6 ft 6 in	1.98 m
Tail Swing	Zero	Zero
Outside Turning Radius	14 ft	4.27 m
Inside Turning Radius	5 ft 8 in	1.73 m
Ground Clearance	14 in	36 cm
Platform Rotation	180° Hydraulic	
Travel Speed	0.5 mph/2.5 mph	0.8 kph/4 kph
Wheel Base	6 ft 6 in	1.98 m
Gross Weight (est)	14,500 lbs	6,577 kg
Gradeability 2WD	30%	30%
Power Source	Diesel	Diesel
Diesel Engine	Caterpillar 3024C 50 hp (37.2 kW)	
Fuel Tank Capacity	16.5 Gal	62.5 L
Hydraulic Reservoir	30 Gal	113.6 L

Specifications Subject to Change Without Prior Notice

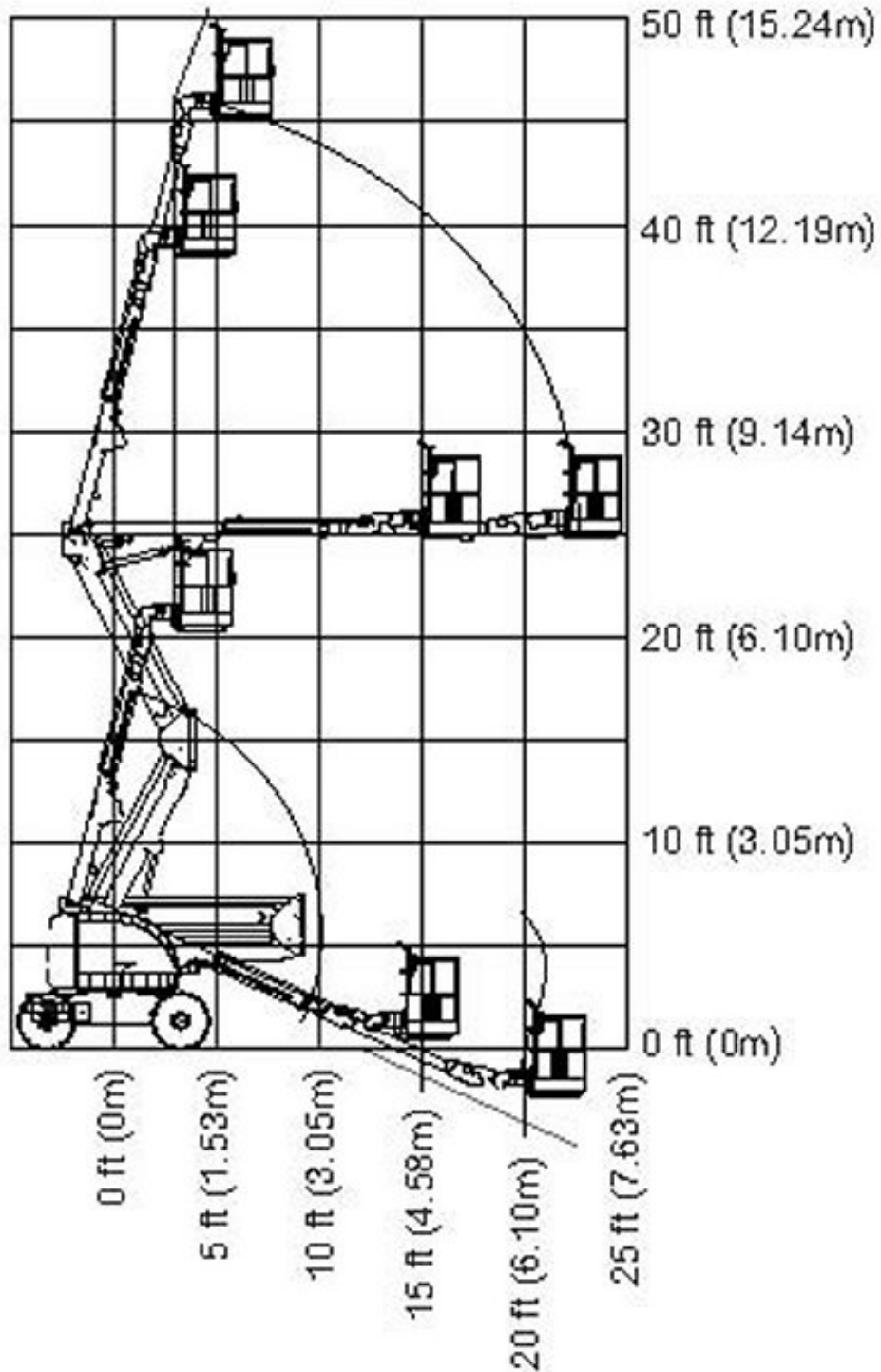
STANDARD EQUIPMENT:

- 45 ft Platform Height
- 51 ft Working Height
- Horizontal Outreach 24 ft 6 in
- Platform Size 30 x 72 in
- Overall Width 6 ft 6 in
- Stowed Height 7 ft 5 in
- Stowed Length 21 ft 5 in
- Ground Clearance 14 in
- Proportional Hydraulic Controls

MLE
MAN & MATERIAL LIFT ENGINEERING

5707 S. Pennsylvania Avenue
Cudahy, WI 53110
Phone: 414-486-1760
Fax: 414-486-1763
www.manliftengineering.com
sales@manliftengineering.com

A45DY Range Diagram



MLE
MAN & MATERIAL LIFT ENGINEERING

5707 S. Pennsylvania Avenue
Cudahy, WI 53110
Phone: 414-486-1760
Fax: 414-486-1763
www.manliftengineering.com
sales@manliftengineering.com