

TZ50i

50' Trailer Mounted Electrically Insulated Lift

FEATURES

- Fiberglass Platform 24 x 24 in
 - Sealed Battery
 - 6ft Fiberglass Boom
 - Non-Conductive Hydraulic Hoses
 - Radio remote Control
 - 46KVA Insulation
 - 160° platform rotation
- POWER OPTIONS**
- 24V DC power source

- Hybrid Honda 5.5 Hp (4.1 Kw) 45 amp charging system

DRIVE

- Drive and set option (ANSI, CSA)

COUPLER OPTIONS

Combination hitch

- 2 in (5.08 cm) ball coupler
- 2.31 in (5.87 cm) ball coupler
- 2.5 in (6.53 cm) ID. pintle ring coupler
- Clevis coupler

TIRE OPTIONS

- ST 225/75 R15 tires (ANSI, CSA)

STANDARD FEATURES

MEASUREMENTS

- 55 ft 6 in (17.09 m) working height
- 29 ft 2 in (8.89 m) horizontal reach
- Up to 300 lb lift capacity

PRODUCTIVITY

- Industry leading working envelope
- Extension boom
- Self-leveling platform
- Hydraulic platform rotation

- AC wiring to platform
- Hydraulic outriggers
- Automatic 110 leveling system
- Outrigger interlocks
- Mechanical parking brake
- Hydraulic surge brakes
- Auxiliary pump down
- Combination hitch with coupler lever lock
- Dual jockey wheels
- 359° non-continuous turntable rotation
- Easy to access batteries
- Hour meter
- Tilt alarm / sensor
- Illuminated outrigger indicators

POWER

- 24V DC power source

Made For

- Electrical Contractors
- Plant Maintenance
- Electrical Utilities



- 46KV ANSI Class C Rating
- 6' Fixed Fiberglass Jib
- Radio Remote Control
- Non-Conductive Hyd Hoses

MLE
MAN & MATERIAL LIFT ENGINEERING

5707 S. Pennsylvania Avenue
Cudahy, WI 53110

Phone: 414-486-1760

Fax: 414-486-1763

www.manliftengineering.com
sales@manliftengineering.com

SPECIFICATIONS TZ50i

| MEASUREMENTS | US | Metric |
|----------------------------------|-------------|---------|
| Working height* | | |
| Platform height | 49ft 6 in | 15.09 m |
| Entry height | 1 ft 8 in | .51 m |
| Horizontal reach | 29 ft 2 in | 8.8g m |
| Clear outreach | 23 ft 1 in | 7.04 m |
| Up and over clearance | 22 ft | 6.71 m |
| (A) Platform length | 2 ft 2.8 in | .68 m |
| (B) Platform width | 3 ft 8 in | 112 m |
| (C) Height - stowed | 6ft 10 in | 2 m |
| (D) Length - stowed | 23ft 6 in | 7.16 m |
| (E) Width - stowed | 5 ft 6 in | 1.68 m |
| (F) Ground clearance - center | 10 in | .25 m |
| (G) Length - outrigger footprint | 14ft 4 in | 4.37 m |
| (H) Width - outrigger footprint | 14ft 4 in | 4.37 m |

PRODUCTIVITY

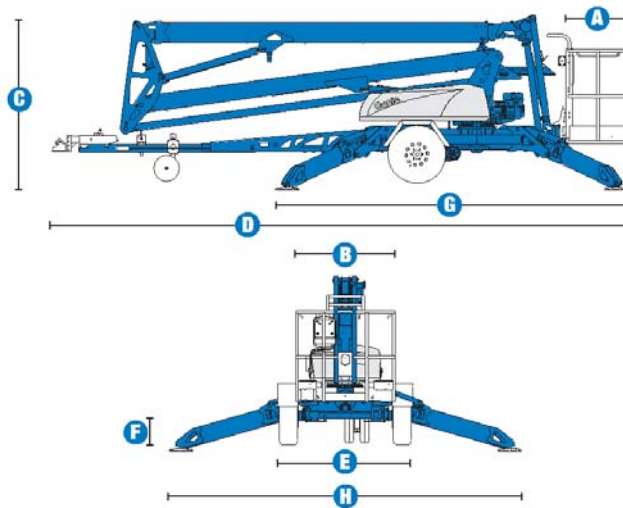
| | | |
|---|---------------------------------------|-----------|
| Lift capacity (ANSI, GSA) - standard | 300 lbs | |
| Lift capacity (ANSI, GSA) - rotating platform | | |
| Jib boom | n/a | |
| Jib working range | n/a | |
| Self leveling platform | 2.5° standard | |
| Platform rotation option | 160° hydraulic | |
| AC power to platform | standard | |
| Turntable rotation | 359° non-continuous | |
| Outrigger leveling capability | 10° | |
| Drive speed | 0.85 mph | 1.37 km/h |
| Gradeability** | 20% | |
| Towing speed rate | 60 mph | 97 km/h |
| Tongue weight - ANSI, | 400 lbs | 181 kg |
| Surge and parking brakes | standard | |
| Controls | variable speed system | |
| Tires - ANSI, Tires | ST 225/75 R15 215 | |
| Coupler | 2 in (5.08 cm) hitch coupler standard | |
| Power source - standard | 24V DC (four 6V 225 Ah batteries) | |

POWER

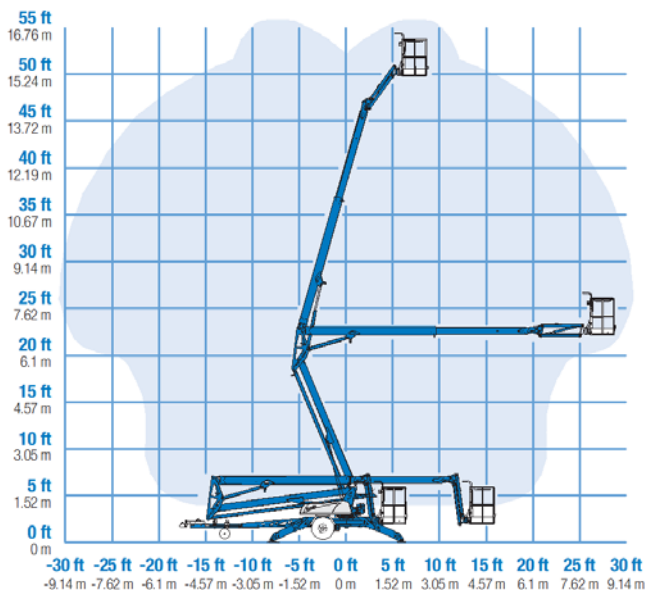
| | | |
|-----------------------------|-------------------------------------|-------|
| Power source - drive option | 24V DC (four 6V 24Ah batteries) | |
| Power source - option | Hybrid DC/Gas Honda 5.5 hp (4.1 kW) | |
| Fuel tank capacity | .95 gal | 3.6 L |
| Hydraulic tank capacity | 4.75 gal | 18 L |
| Hydraulic system capacity | 8.0 gal | 30 L |

WEIGHT

| | | |
|--|-----------|----------|
| | 4,400 lbs | 1,996 kg |
|--|-----------|----------|



RANGE OF MOTION TZ™-50



MLE
 MAN & MATERIAL LIFT ENGINEERING
 5707 S. Pennsylvania Avenue
 Cudahy, WI 53110
 Phone: 414-486-1760
 Fax: 414-486-1763
www.manliftengineering.com