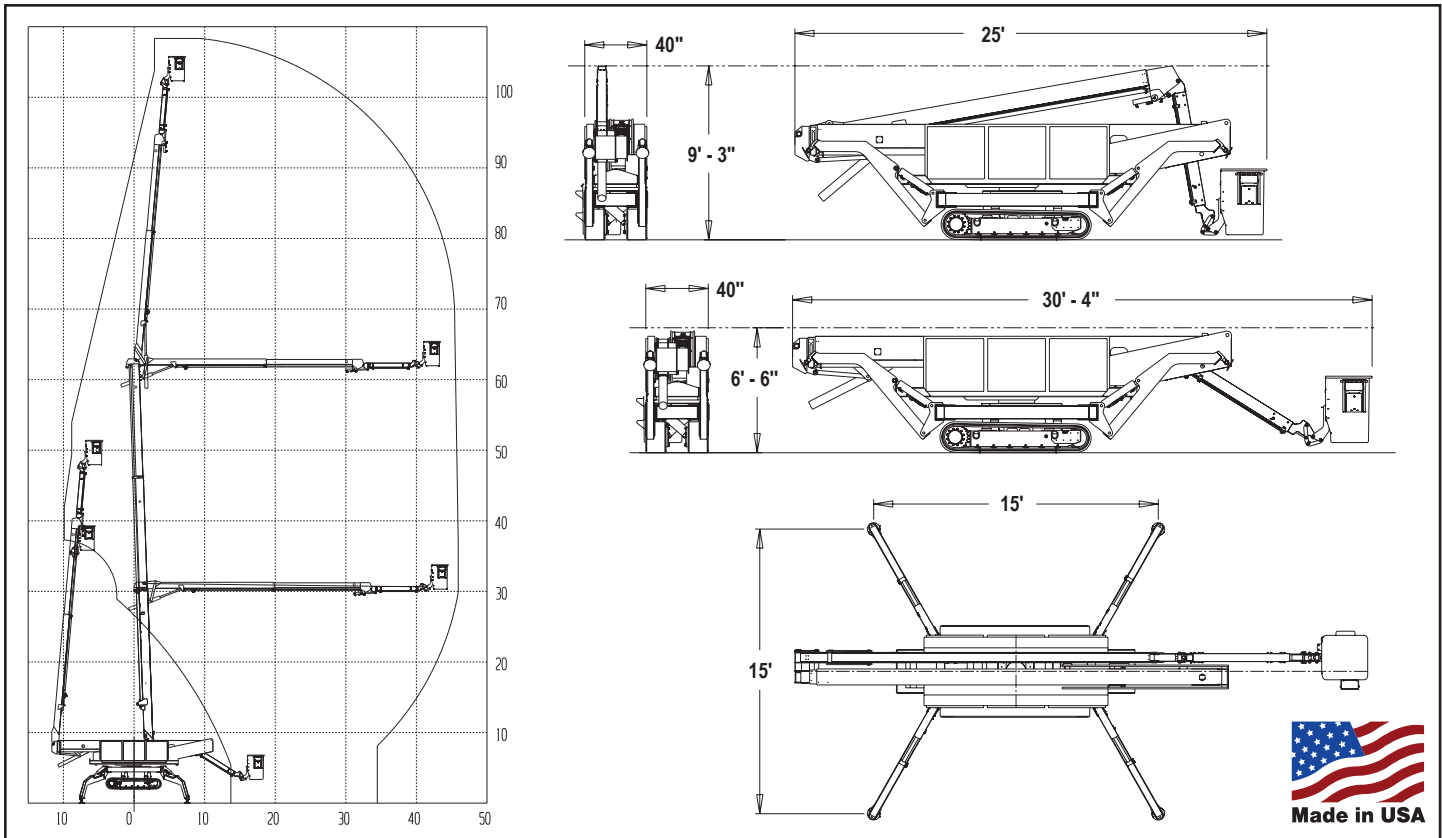


MLE

A100TDi

TRACK DRIVE / INSULATED

MAN & MATERIAL LIFT ENGINEERING



SPECIFICATIONS	US	METRIC
Working Height	108 ft	32.9 m
Platform Height	102 ft	31.8 m
Platform Capacity	300 lbs	136 kg
Platform Size	24 x 48 in	.6 x 1.2 m
Stowed Height	6 ft 6 in	2 m
Stowed Length	30 ft 4 in	9.3 m
Horizontal Reach	35 ft	10.7 m
Overall Width	40 in	1 m
Outrigger Spread	15 ft	4.6 m
Power Source	Kubota Diesel	
Gross Weight	13,000 lbs	5,897 kg

*Specifications Subject to Change Without Prior Notice

Standard Features

- 102 ft Platform Height
- 46 ft Side Reach
- Narrow Access
- Track Drive
- Kubota Diesel Engine
- Automatic Leveling Outriggers
- Light Weight

MLE

Man & Material Lift Engineering
5707 S. Pennsylvania Ave
Cudahy, WI 53110

www.manliftengineering.com
sales@manliftengineering.com
414-486-1760