

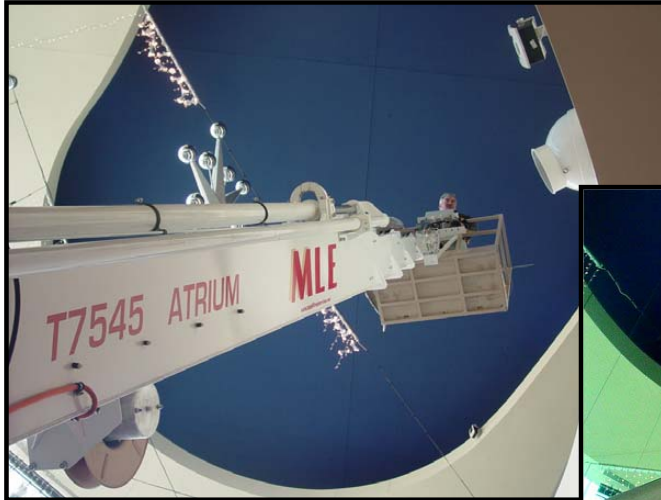
MLE

MAN & MATERIAL LIFT ENGINEERING

T7535-T7545

ATRIUM LIFTS

The New Standard in Atrium Lifts.



Designed for Hotels, Malls, Airports or Buildings with High Ceilings or Difficult to Reach Windows and Obstructions.



- 75' Platform Height
- 45' Side Reach
- More Reach Than Competitor
- Fits Though Single Door



Made in USA

MLE

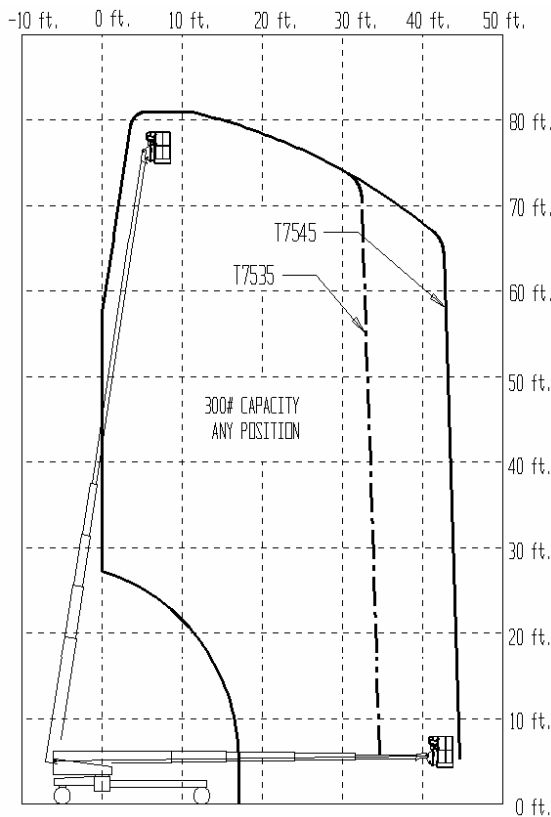
Man & Material Lift Engineering
5707 S. Pennsylvania Ave
Cudahy, WI 53110

www.manliftengineering.com
sales@manliftengineering.com
414-486-1760

T7535 - T7545 ATRIUM LIFTS

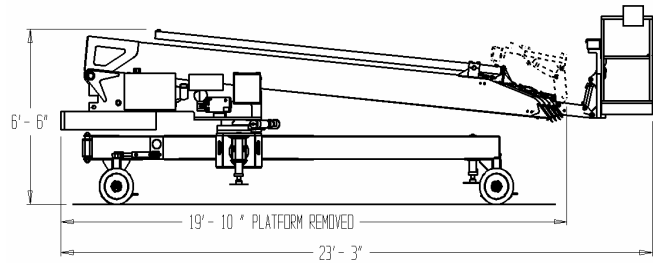


Information Display at Ground and Platform

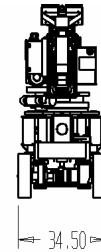
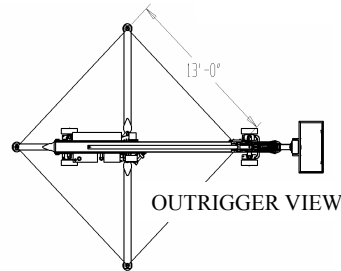


Standard Features

- **Pendant Drive Control**
- **4 Wheel Steering**
- **Low Floor Loading**



FITS THROUGH SINGLE DOOR!



	T7535	T7545
Specifications	US	US
Working Height	81 ft	81 ft
Platform Height	75 ft	75 ft
Platform Capacity	300 lbs	300 lbs
Platform Size	24 x 48 in	24 x 48 in
Stowed Height	6 ft 6 in	6 ft 6 in
Stowed Length	19 ft 10 in	19 ft 10 in
Horizontal Reach	35 ft	45 ft
Overall Width	34.5 in	34.5 in
Outrigger Spread	13 ft	13 ft
Power Source	BATTERY	BATTERY
Wheel Base	10 ft	10 ft
Gross Weight	6,200 lbs	6000/9500*
* Optional Counterweight Cart – Power System		
<i>Specifications Subject to Change Without Prior Notice</i>		



Man & Material Lift Engineering
 5707 S. Pennsylvania Ave
 Cudahy, WI 53110

www.manliftengineering.com
sales@manliftengineering.com
 414-486-1760