

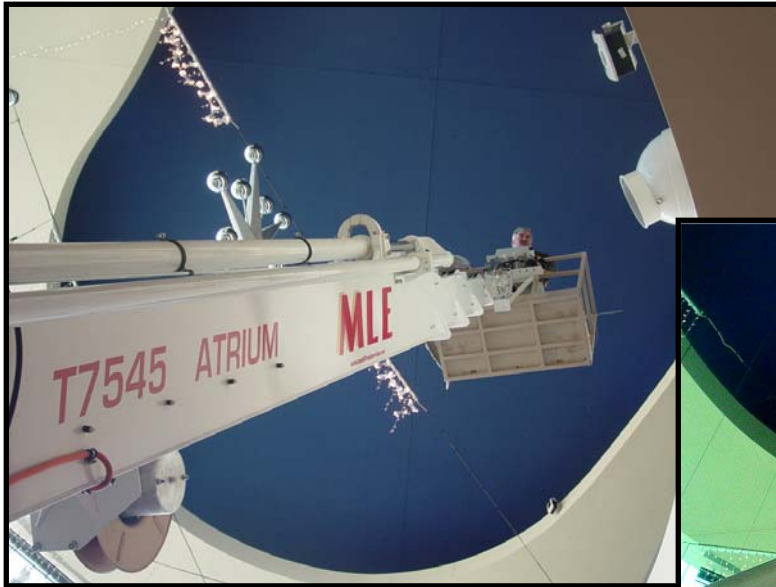
ATRIUM LIFTS

T7545 ATRIUM

The New Standard in Atrium Lifts!



*Designed for Casinos, Malls, Airports
or Buildings with High Ceilings or
Difficult to Reach Windows and
Obstructions.*



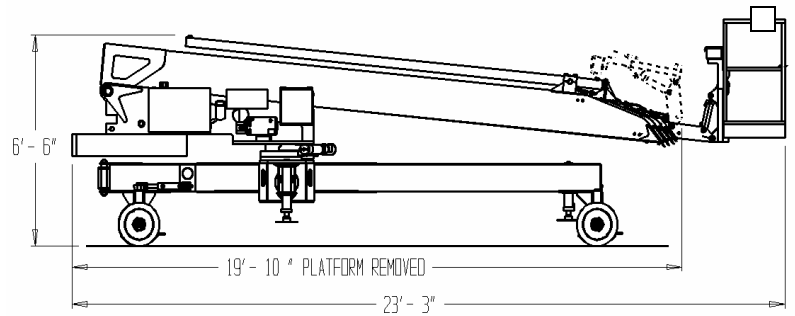
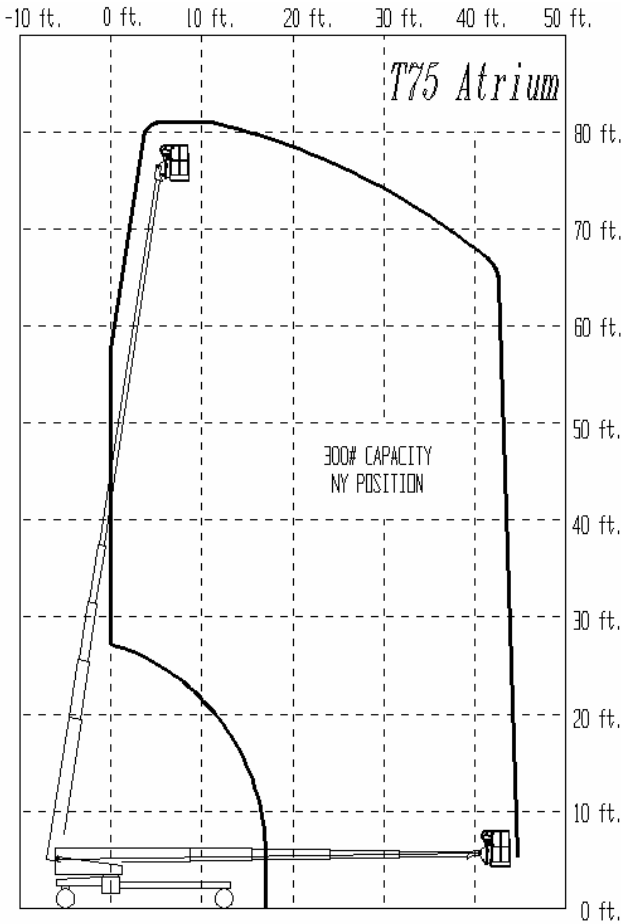
- *75' Platform Height*
- *45' Side Reach*
- *More Reach Than Competitor*
- *Fits Though Single Door*

MLE
MAN & MATERIAL LIFT ENGINEERING

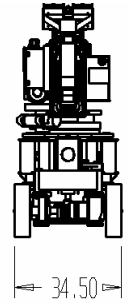
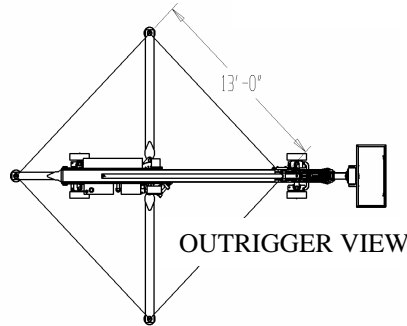
5707 S. Pennsylvania Avenue
Cudahy, WI 53110
Phone: 414-486-1760
Fax: 414-486-1763
www.manliftengineering.com
sales@manliftengineering.com



Information Display at Ground and Platform



FITS THROUGH SINGLE DOOR!



T7545		
Specifications	US	Metric
Working Height	81 ft	24.7 m
Platform Height	75 ft	22.9 m
Platform Capacity	300 lbs	136 kg
Platform Size	24 x 48 in	.61m x 1.2m
Stowed Height	6 ft 6 in	2.0 m
Stowed Length	19 ft 10 in	6.0 m
Horizontal Reach	45 ft	13.7 m
Overall Width	34.5 in	0.87 m
Outrigger Spread	13 ft	3.96 m
Power Source	BATTERY	BATTERY
Wheel Base	10 ft	3.0 m
* Gross Weight (Transport)	6,000 lbs	2721 kg
Gross Weight	9,500 lbs	4308 kg

Specifications Subject to Change Without Prior Notice

Standard Features

- Pendant Drive Control
- 4 Wheel Steering
- Proportional Controls
- Hydraulic Outriggers
- Removable Platform



*** Counterweight cart available for reduced floor loading**